

CLUSTER™ Series

上海总部

SHANGHAI (HEAD OFFICE)

Tel: 86 21 6393 2688

Fax: 86 21 6393 2855

Loft A5, DaNing Central Square, No.700 Wanrong Rd., Shanghai, 200072

上海市万荣路700号大宁中心广场A5幢

诺梵研发运营制造中心

SHANGHAI (R&D+OPERATION+MANUFACTURING)

Tel: 86 21 3756 6628

Fax: 86 21 3756 6791

228Xihan Rd., Shanghai Fengpu Industrial Park, Export Processing Zone, 201401

上海市工业综合开发区(奉贤)西韩路228号

北京分公司

BEIJING BRANCH

Tel: 86 10 6553 9907

Fax: 86 10 6552 9366

5F Studio Building A, Dongyi International Media Industrial Park,

No.8 Gaojing Culture area, Chaoyang District, Beijing, 100123

北京市朝阳区高井文化园8号东亿国际传媒产业园演播大厅A座五层

深圳分公司

SHENZHEN BRANCH

Tel: 86 755 8278 8766

Fax: 86 755 8257 6379

9F, Building B, Xuesong Tower, 6 Tairan Rd., Futian District, Shenzhen, 518000

深圳市福田区泰然六路雪松大厦8幢9层

南京分公司

NANJING BRANCH

Tel: 86 25 8451 7001

Fax: 86 25 8451 4990

2F, 81-1 Huaqiao Rd., Gulou District, Nanjing, 210029

南京市鼓楼区华侨路81-1号2层

济南分公司

JINAN BRANCH

Tel: 86 531 8651 6588

Fax: 86 531 8651 6771

Section C, East of Center Circus, Qilu Soft Park, High-tech Industrial

Development Zone of Jinan, 250101

济南市高新区齐鲁软件园C座中心广场首层东首

杭州分公司

HANGZHOU BRANCH

Tel: 86 571 8689 1399

Fax: 86 571 8689 1388

Room 201, Ruijing International Business Center No.198 Wuxing Rd.,

Jiangan District, Hangzhou, 310016

杭州市江干区钱江新城五星路198号瑞晶国际商务中心201室

www.novah.cc



CLUSTER trademarks and images belong to the Novah (Shanghai) Office Systems Co., Ltd. All rights reserved.
CLUSTER, 商标和图形属于诺梵(上海)办公系统有限公司版权所有

保护地球环境，设计环保产品，使用环保材料，选择环保包装，选择环保印刷。
Protect the environment using friendly recyclable paper & ink.

Advertising Design: EWA | www.everwise.net | 201309 Qty:3000

NOVAH

CLUSTER™ Series





CLUSTERTM
Series

The era of personalized new
office environment solutions

个性化时代的全新办公环境解决方案

Whereas our outward
appearance springs
from our heart

相由心生

The CLUSTER Workstation System is practical and elegant. Its options and configurations make it perfect for both professional and personal use, and it can effectively adapt to a variety of office environment demands. The exquisite compact structure design can maximize office space and efficiency and fulfill your business' variety of needs.

CLUSTER系统工作站外观简洁、优雅，拥有良好的工作形态组合功能以及丰富的个性化可选配置，能够有效适用于多种办公环境需求。精巧合理的结构设计能够最大化的提升办公空间的使用效率。多种形态的工作桌组，全方位支持团队及企业不断发展变化的需求。





Our perceptions of
the world will change with
the changes of our soul

境由心转

Variety in color options is an important characteristic of CLUSTER workstation system. Different materials and functions of the partitions not only meet the requirement of all kinds of working environments, but also provide the more choices for customers.

丰富多彩的可选配置是CLUSTER系统工作站的一大特点。不同材质、功能的桌上屏风组件，不仅能够适应各种工作环境的需求，同时也为客户提供了更多选择的可能性。

Long Bench

AB - InBev (Shanghai) office, located in People's Square of Huangpu District, Shanghai, selected the CLUSTER Workstation System and FRASSO Office Chair for their office needs. These selections make office space simple, yet refined and energetic.

百威英博（上海）公司位于黄浦区人民广场来福士办公大楼的办公室，由CLUSTER系统工作站以及FRASSO办公座椅倾情打造。整体空间简约精致，充满了活力感。



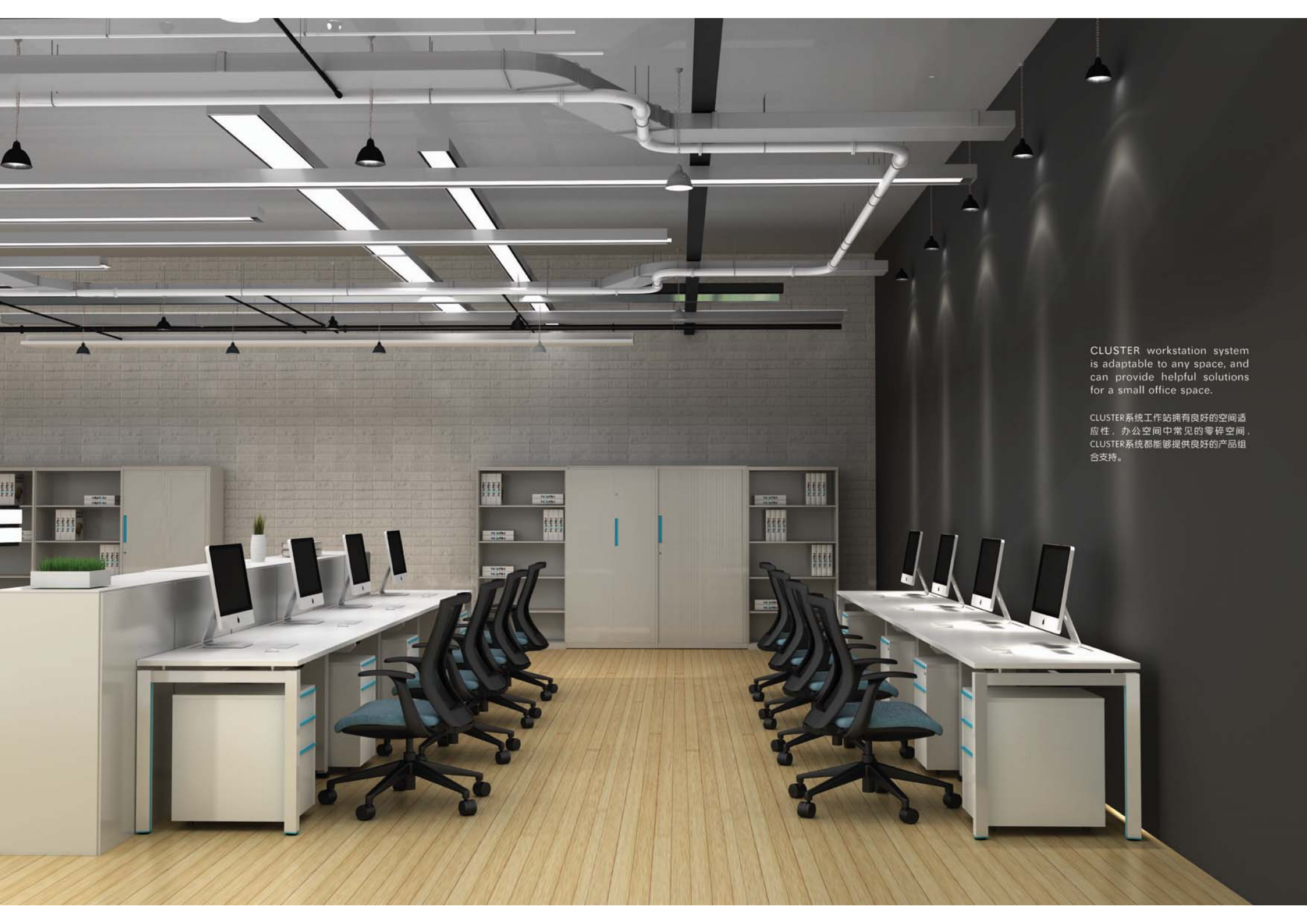
With the continuous development of science and technology, new solutions for wireless charger assembly are available which create a cleaner environment for the desktop of CLUSTER Workstation System.

科学技术的不断发展进步，也带来了全新的技术解决方案。无线充电器装配，为CLUSTER系统工作站创造了更加整洁的桌面环境。



Long Bench is a common office desk configuration, and its wide range of possible dimensions makes it very adaptable. The space usability becomes more reasonable because of CLUSTER Workstation adopted unique structure design.

Long Bench 形态的工作站是一种非常普遍的办公桌组配置，具有非常广泛的空间适应性。CLUSTER此类型工作站中部支撑系统采取了特别的内缩结构设计，这使得整体桌组的空间使用性更加合理。



CLUSTER workstation system is adaptable to any space, and can provide helpful solutions for a small office space.

CLUSTER系统工作站拥有良好的空间适应性。办公空间中常见的零碎空间，CLUSTER系统都能够提供良好的产品组合支持。



CLUSTER can provide more convenient and efficient personal workspaces by a variety of matching options to improve the staff's working environment, which, in turn, will improve office efficiency.

CLUSTER能够为员工提供更为便捷、高效的个人工作空间。通过不同的搭配方案改善员工的工作环境，从而提升工作效率。



Furniture as an important part of spatial properties, it has a significant impact on the working environment. CLUSTER Workstation System can provide highly targeted color matching solutions according to the enterprise's special demands to create a more unified & integral office space.

家具作为空间属性中的重要组成部分，对整体环境有着非常大的影响。CLUSTER系统工作站能够根据企业的个性需求提供极具针对性的色彩搭配方案，为企业打造一个更为整体、统一的办公空间。



Excutive Desk

CLUSTER system has powerful module combination functions. Enterprise administrators can match different products to build their own administrative space according to their needs.

CLUSTER系统拥有强大的模块组合功能。企业管理者可根据实际需求，搭配不同产品组件来打造专属的行政管理桌组。

Meeting Desk

CLUSTER Conference System also used the unique design, allowing the space to be maximized. It makes works more efficient and convenient by matching the NOVAH Exclusive Cable Management System.

CLUSTER会议系统同样延续了中间支撑部位的独特内缩设计，使得空间利用最大化。同时搭配诺梵专属走线管理系统，为工作开展提供更加高效、便捷的支持。



Accessories

配件

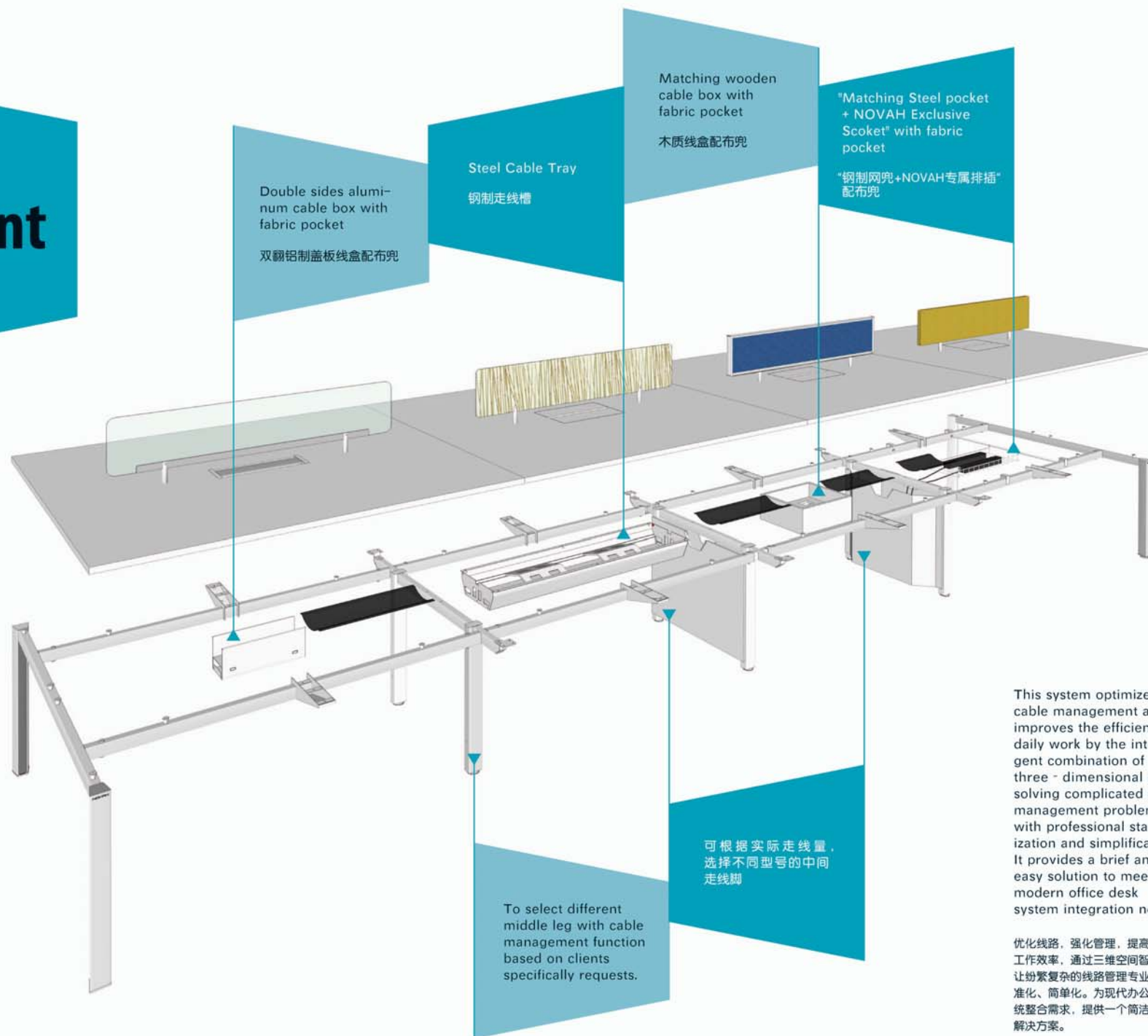
Through a variety of accessories, unique elements, and practical setup, CLUSTER can quickly adapt to various working environment needs, allowing staff to make full use of resources, improving communication between employees, and improving the overall work efficiency.

通过各种配件元素的合理搭配，CLUSTER可以快速适应各种工作环境的需求；方便员工自身的资源调用以及员工之间的沟通交流，从而提升自身的工作效率。



Cable Management

线路管理



Middle leg diagram, to enlarge space under desktop.

内缩式中部支撑结构，使空间得以最大化的利用。

This system optimizes cable management and improves the efficiency of daily work by the intelligent combination of three - dimensional space, solving complicated cable management problems with professional standardization and simplification. It provides a brief and easy solution to meet modern office desk system integration needs.

优化线路，强化管理，提高日常的工作效率，通过三维空间智能结合，让纷繁复杂的线路管理专业化、标准化、简单化。为现代办公桌组系统整合需求，提供一个简洁轻松的解决方案。

Specification

规格

Standard CLUSTER leg with decorative panels
CLUSTER常规脚柱配饰条



Matching leg decorative panel color options
CLUSTER脚柱选配饰条颜色



C款 双面蒙布桌屏
C type: fabric screen



D款 铝框桌屏
D type: aluminum frame screen



B款 钢制蒙布桌屏
B type: metal frame fabric cover screen

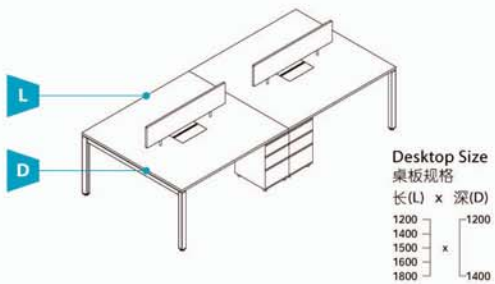


A2款 树脂桌屏
A2 type: resin screen

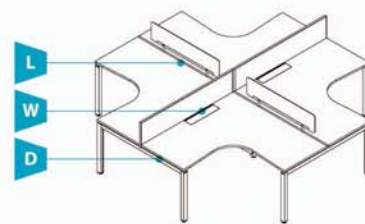


A1款 亚克力桌屏
A1 type: acrylic screen

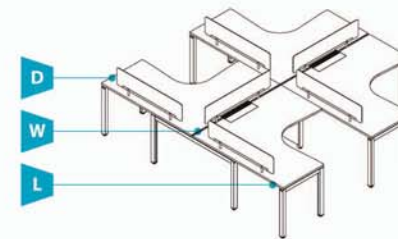
CLUSTER - A



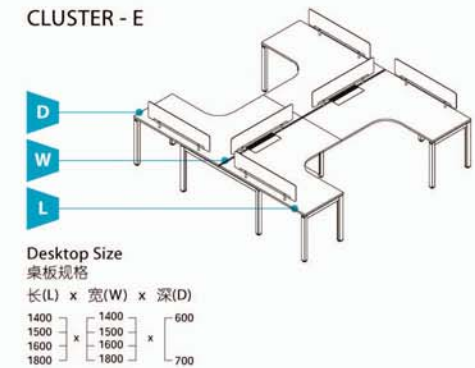
CLUSTER - C



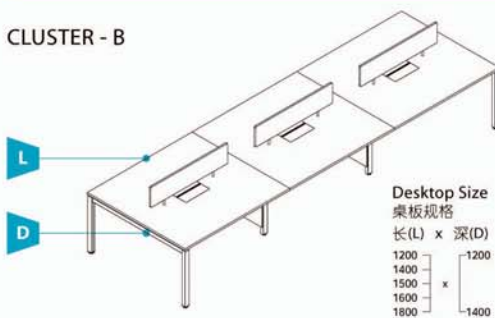
CLUSTER - D



CLUSTER - E



CLUSTER - B



CLUSTER - F

